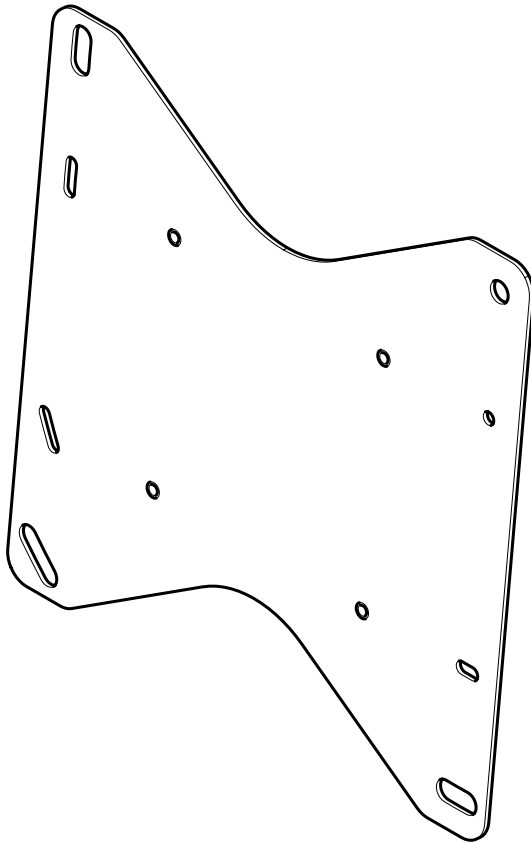


Installation Guide

SPK614

Kiosk adapter from VESA 100/100 to VESA 200/200





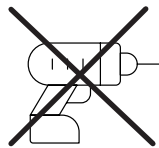
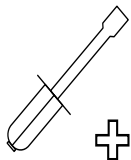
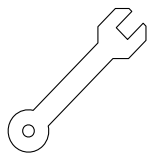
CAUTION

This product is intended for indoor use only.

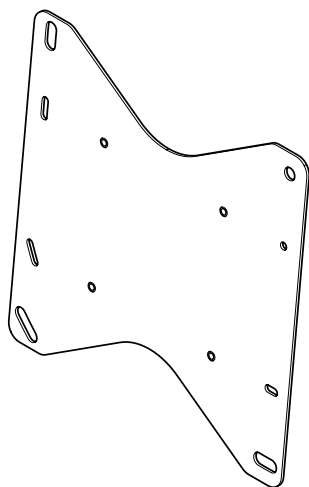
If these installation instructions are not followed correctly, it could lead to product failure and potential personal injury.

Ergonomic Solutions/SpacePole cannot be held responsible for any failure or injury, if the installation instructions are not followed correctly.

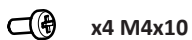
Tool list



Box content



x1 (A)



x4 M4x10



x4 M6x12



x4 M8x16



x4 M8x25



x4 M8x35



x4 M4 nuts

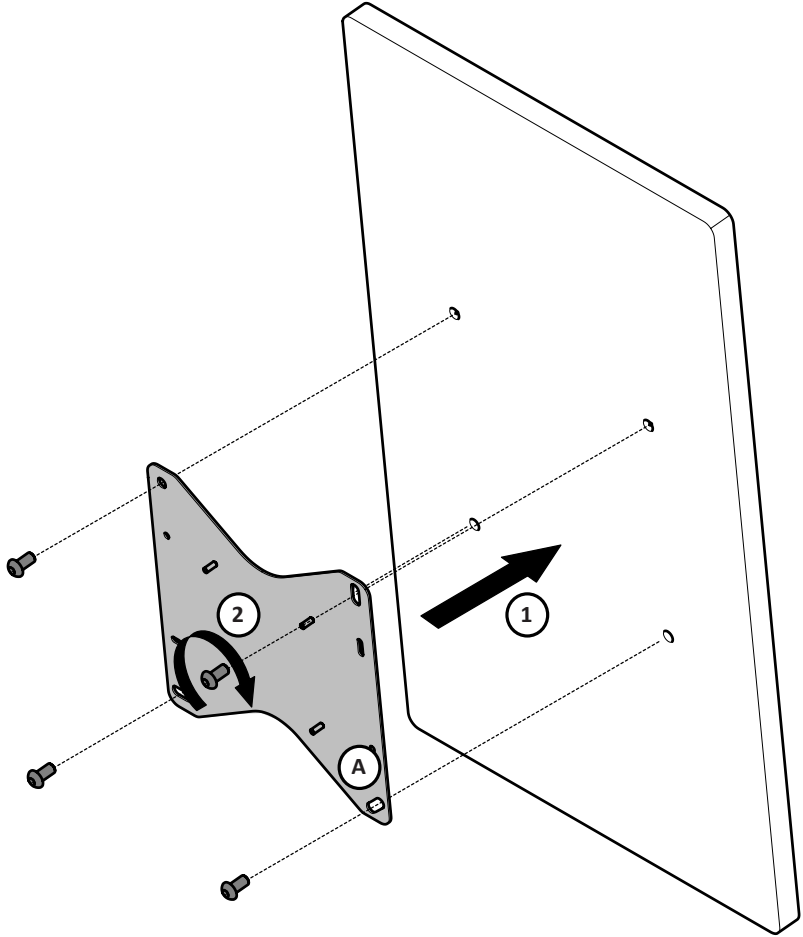


x4 M8 x 5mm spacers



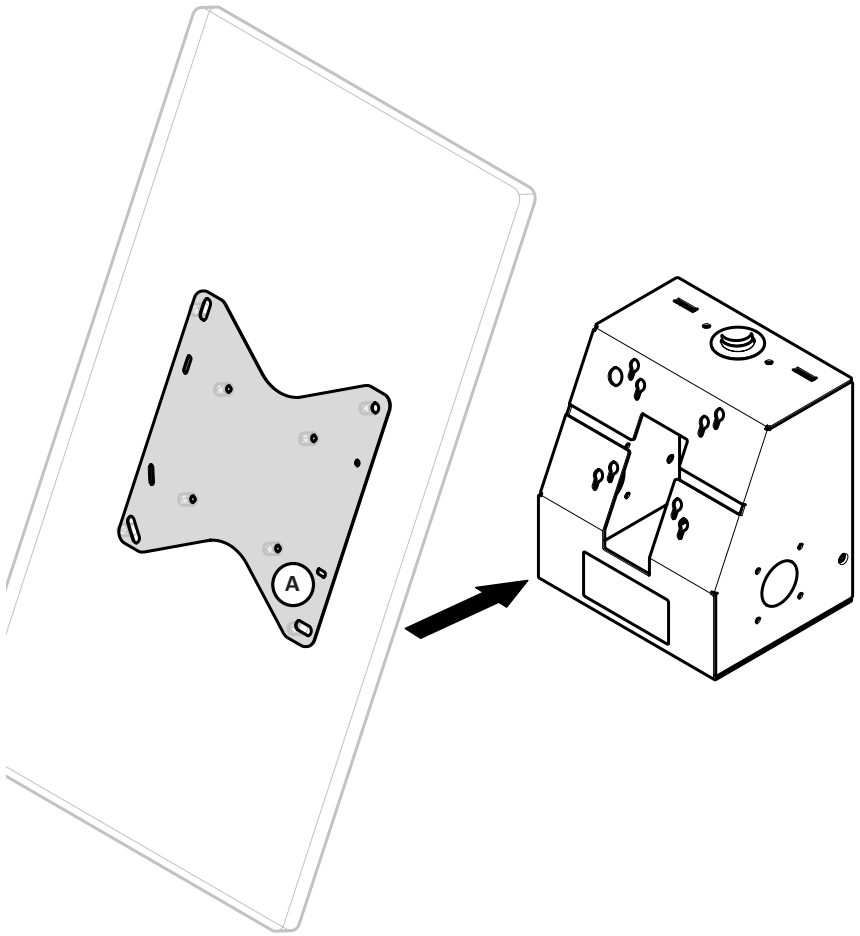
x4 M8 washers

1 Mount VESA Adapter on to screen

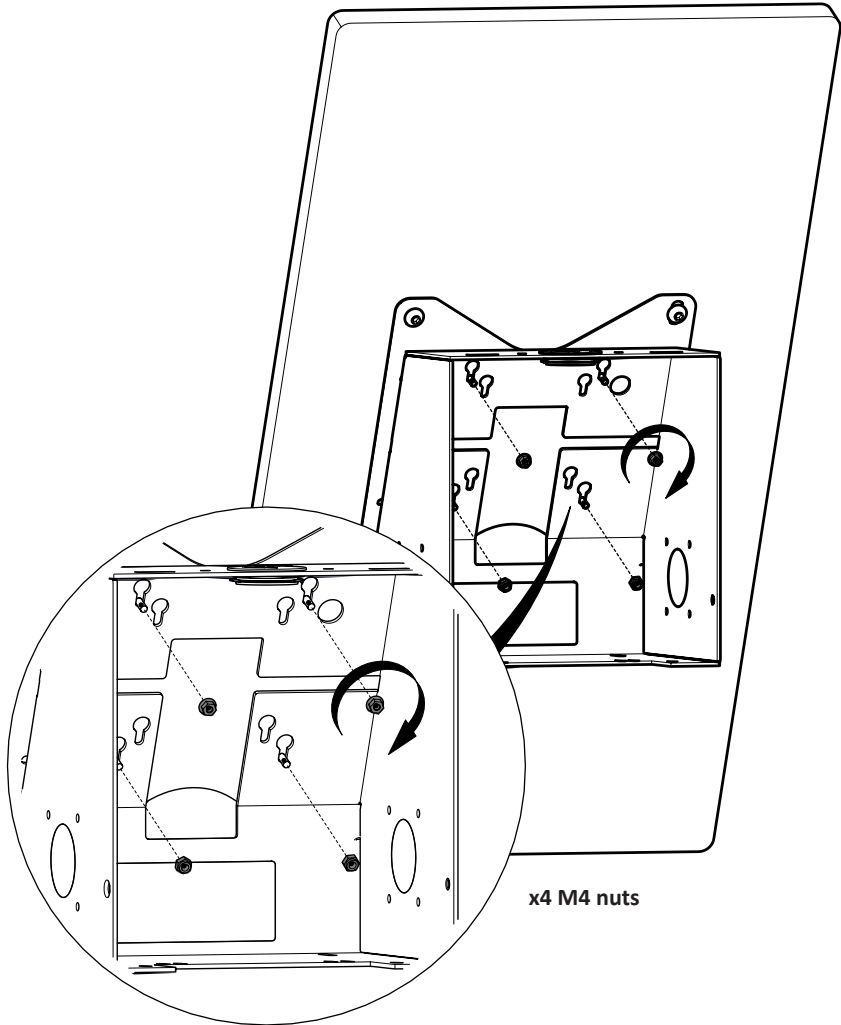


Choose the appropriate VESA screws

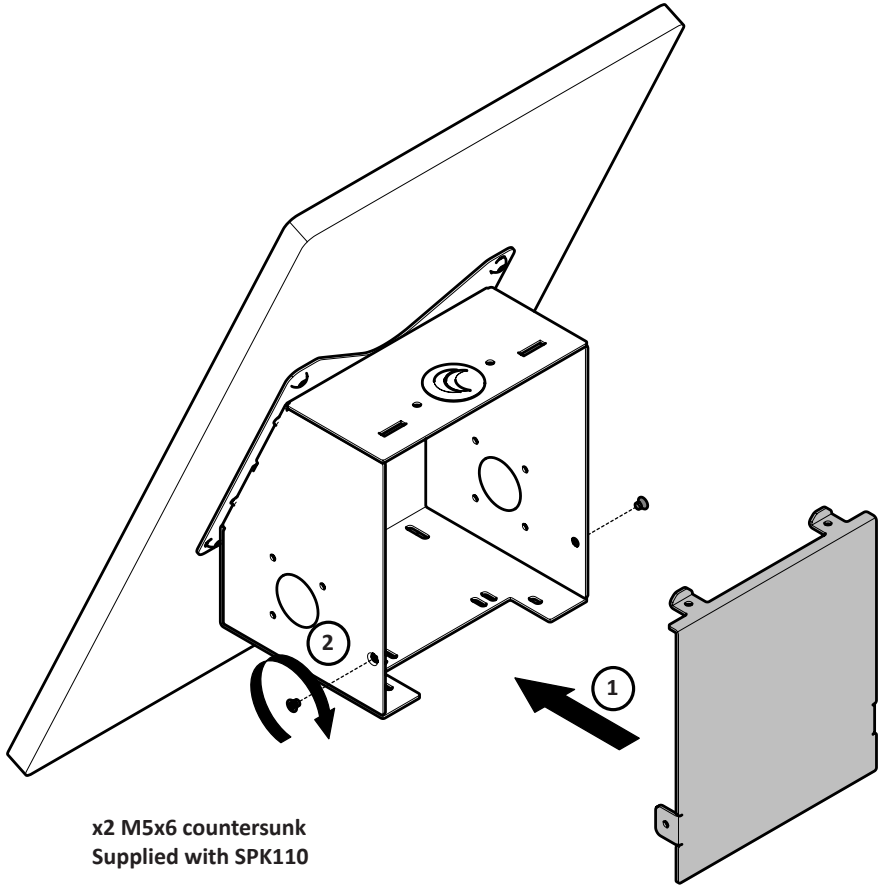
2 Place VESA Adapter(A) and screen on to the Top module



3 Secure VESA Adapter (A) and screen to the Top module



4 Close Top module



Need help? Contact us



ergonomic.solutions/about/contact-us

spacepole.com/about/contact-us